

# END PANEL TO END PANEL FRAMING KIT

## INSTALLATION GUIDE



This information sheet provides details of how to install top and bottom liners and two end panels.

**Please take time to read it through fully prior to the installation of your sliding wardrobe doors.**

This pack contains:

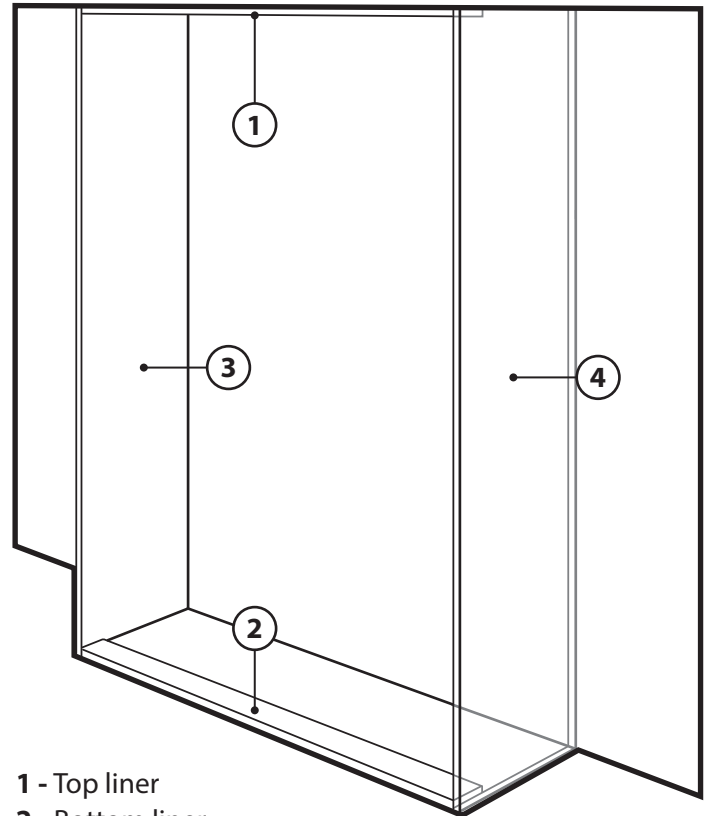
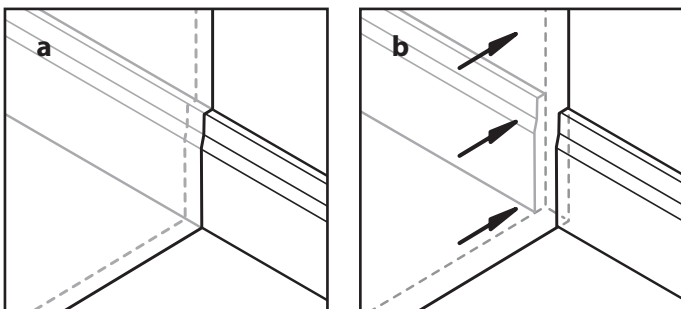
- **2 x liners (top/bottom)**  
(l)1200/1600/2000/2400 x (w)87mm x (d)18mm
- **2 x end panels**  
(l)2800 x (w)640mm x (d)18mm
- **Fixings** - 20 x wallplugs (corner blocks);  
20 x 40mm screws (corner blocks); 10 x wallplugs  
(liners); 10 x 40mm screws (liners); 10 x corner blocks  
10 x 15mm screws (corner block into end panel)

### 1. Planning the area

Before beginning construction check all relevant dimensions carefully. Check the wall and underfloor areas to avoid damaging water or central heating pipes and electric cables. If you are fixing the end panels to a wall that has existing skirting boards (and/or covings) there are two optional ways you can do this. To accommodate skirting boards either:

- cut to shape the end panel over the skirting board (see illustration **a**) or;
- remove a section of the skirting board to match the thickness of the end panel and slide the end panel into the gap so that it butts up against the back wall (see illustration **b**).

Similarly, use one of the above methods to accommodate covings at the top of the end panels.



- 1 - Top liner
- 2 - Bottom liner
- 3 - End panel
- 4 - End panel

### Tools required (not supplied)

- Electric drill, 2mm diam. wood drill bit and 6mm diam. masonry drill bit
- Crosshead screwdriver
- Handsaw (with appropriate blade for cutting MFC)
- Hacksaw (32tpi blade recommended)
- Spirit level
- Bradawl
- Tape measure
- Pencil

## 2. Cutting and fixing the end panels

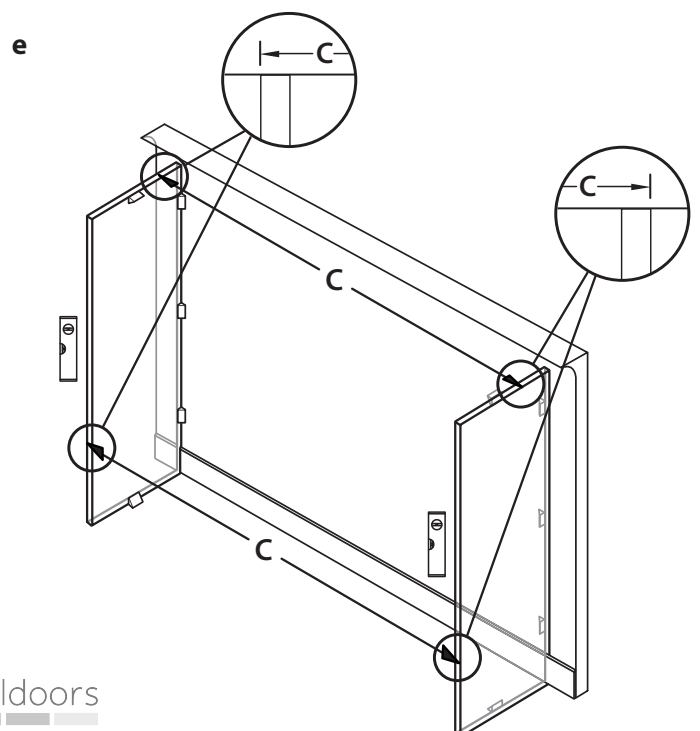
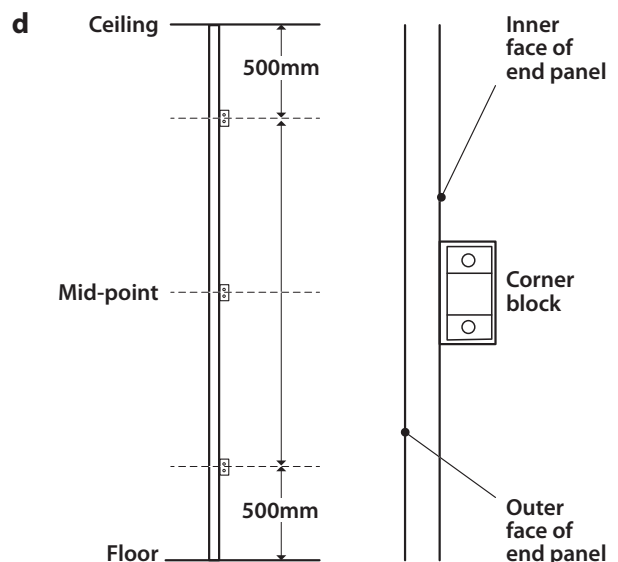
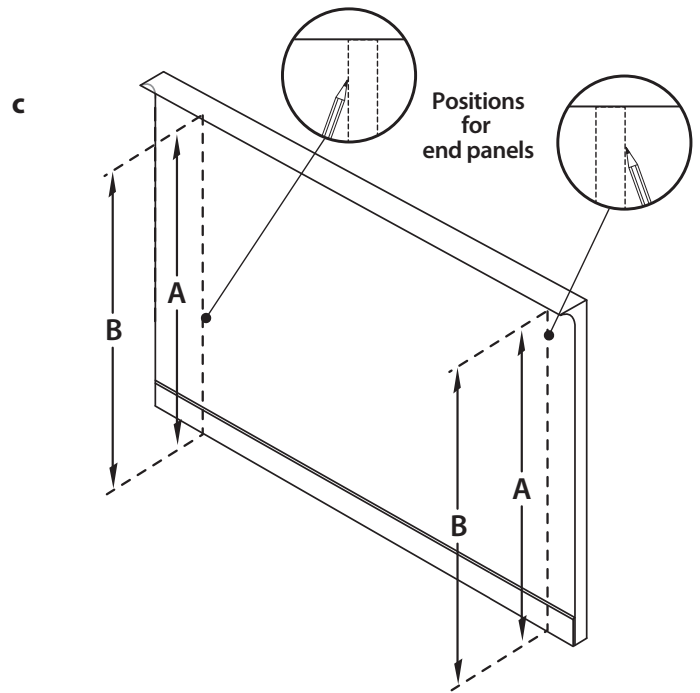
The end panels are supplied at a standard length of 2800mm. If your wardrobe installation is going to be of a height lower than this you will need to cut the end panels down to the desired length.

At the two positions on the wall where the end panels are to be located (see illustration **c**), measure the height dimension from floor to ceiling (**A**) on the back wall and also at a position to align with the fronts of the end panels (**B**). If both dimensions at each point are the same cut down the end panels to this size, minus 2mm. If there is a significant difference between the two dimensions at each point, cut the end panels to match the slope of the ceiling.

**TIP** When cutting the end panels to length use masking tape along the cut lines to prevent the laminate surface from chipping. Carefully remove the tape after you have finished cutting.

With a pencil, draw a vertical line from floor to ceiling on the back wall at the point where the first end panel will be positioned. Use a spirit level or plumb line to ensure the line is perfectly vertical. Against this pencil line, position three of the corner blocks on the back wall at the points as shown (see illustration **d**). Mark on the wall with a pencil or bradawl the positions for drilling and, with a 6mm masonry bit, drill the six holes and then insert the wallplugs. Screw the three corner blocks in place with 40mm screws, offer up the end panel to them and secure it in place through the remaining holes in the corner blocks, using the 15mm screws. At the base of the end panel, at its mid-point, position another corner block, drill 2mm pilot holes and secure it to the floor with four of the 15mm screws. Repeat the same procedure to fix the first end panel to the ceiling (see illustration **e**). Finally, check that the end panel is vertical using a spirit level.

Repeat the same process as above to fit the second end panel, ensuring that the final overall width (**C**) between the **outside faces of the panels** is the width you have specified for your wardrobe installation - see illustration **e**.



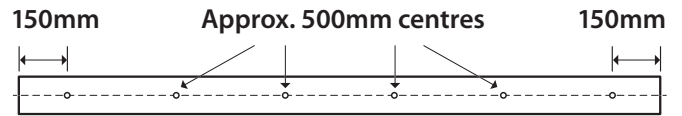
### 3. Cutting, drilling and fixing the top and bottom liners

The top and bottom liners are supplied at a standard length, nearest to the width that you have specified and so will need to be cut to the required size. Measure the distance between the inner surfaces of the end panels at ceiling level and floor level and cut the top and bottom liners to the corresponding lengths.

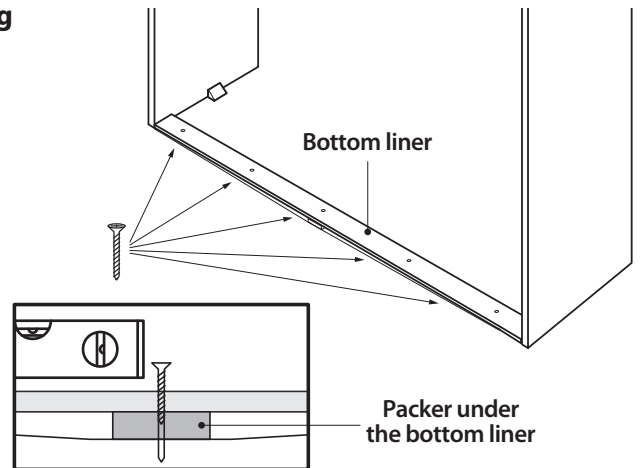
Drill and countersink 2mm pilot holes centrally in the width of the bottom liner, approximately 150mm from each end and space out the remaining pilot holes evenly at a maximum of 500mm centres (see illustration **f**). It is essential for the proper running of the doors that the bottom track is perfectly level; therefore, check the level of the bottom liner carefully, using a spirit level. If there is a dip in the floor across the width of the area use packers to ensure that the bottom liner is perfectly level (see illustration **g**). Fix the bottom liner to the floor with countersunk screws, ensuring the heads finish flush with the face of the liner. Follow the same process to fix the top liner in position.

**Note:** Before fixing the top liner to the ceiling using screws it will be necessary to ascertain beforehand the position of the ceiling joists in order to drill the pilot holes at the correct positions in order that they coincide with the joists.

**f**



**g**





---

**Disclaimer:** It is the responsibility of the customer to ascertain that the area for installation is structurally sound and that any drilling necessary will not compromise electrical wiring, water pipes or gas services. The information provided herein is intended as a guide to good practice. The manufacturer cannot be held responsible or liable for any damage, wear or malfunction caused to components due to inadequate or improper installation.

---